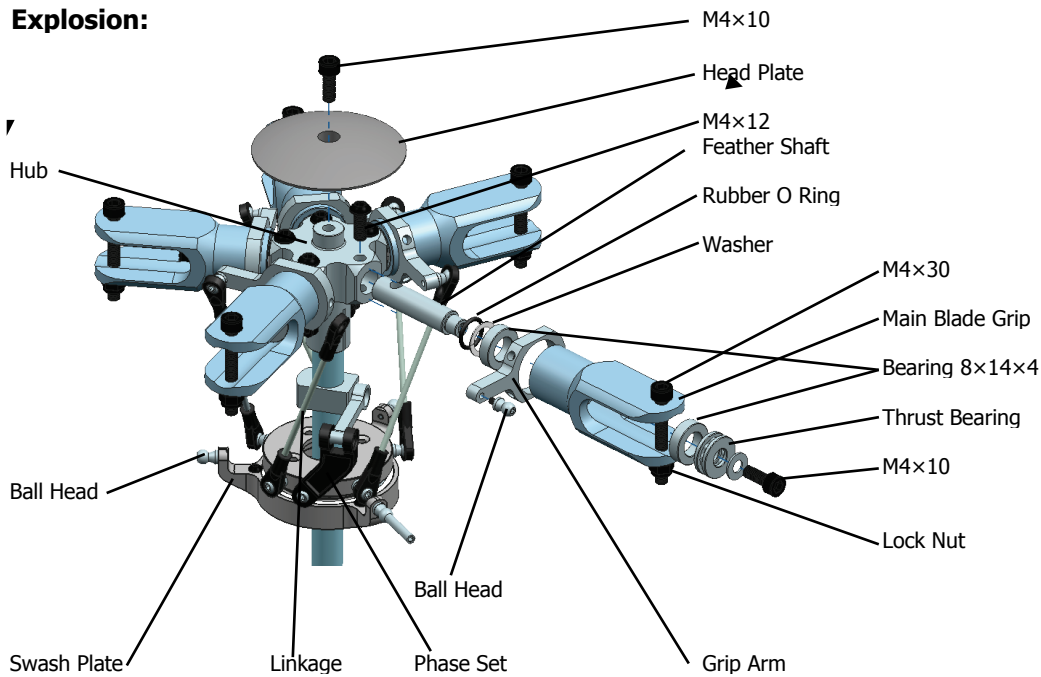


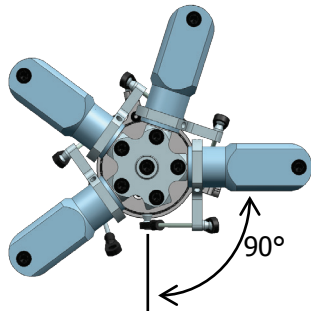
600 SIZE CNC 5 BLADES ROTOR HEAD

Model No. DC600PENTA

Explosion:



Installation:



Adjusting the phase set, make sure the ball head on swashplate leads the grip by 90 degrees

Caution:

All ball heads and screws need threadlocking adhesive to avoid dispart in flight

Included:	Number	Materials
Link	× 5	Steel
Link Head	× 10	Plastic
Main Blade Grip	× 5	Aluminium Alloy 7075
Swash Plate	× 1	Aluminium Alloy 7075
Head Plate	× 1	Aluminium Alloy 7075
Hub	× 1	Aluminium Alloy 7075
Ball Head	× 13	Stainless Steel
Ball Head (Long)	× 1	Stainless Steel
Phase Set	× 1	Aluminium Alloy 7075
shaft	× 5	Steel
Washer	× 5	Aluminium Alloy 7075
Screws		Steel
Nuts		Steel
Bearing 8×14×4	× 10	Steel
Bearing 25×32×7	× 1	Steel
Thrust Bearing	× 5	Steel
O Ring	× 5	Rubber