

# 600 Size 3 Blades Rotor Head Instruction Manau

## Introduction

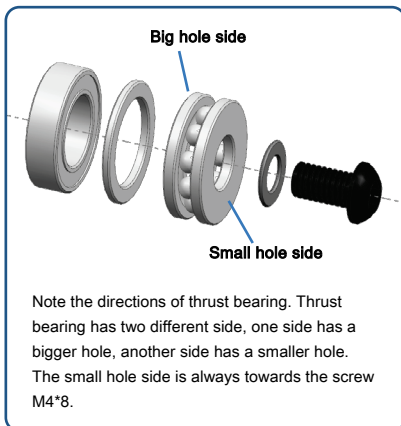
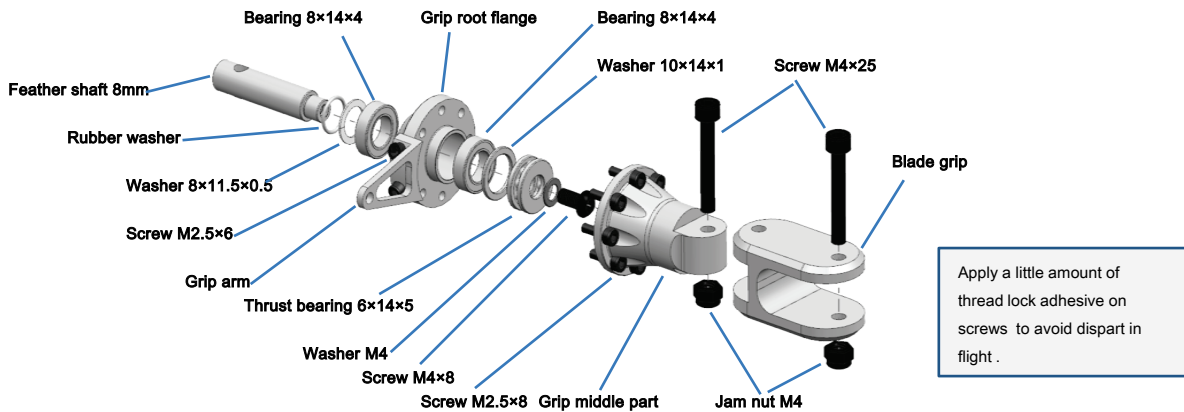
Scale 600 size 3 blades rotor head is the new design of Double Cats team. It is for the 10mm diameter main shaft RC model helicopters with CCPM mode.

This head is made by CNC. It provides your scale helicopter more detail with flying stability. It's the best choice for your beautiful new scale fuselage.

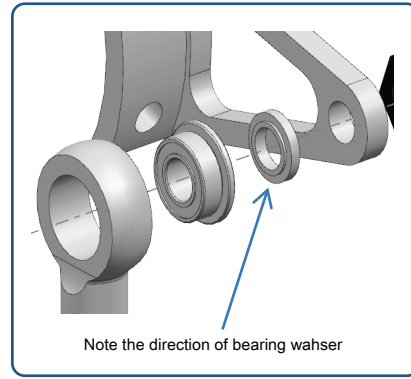
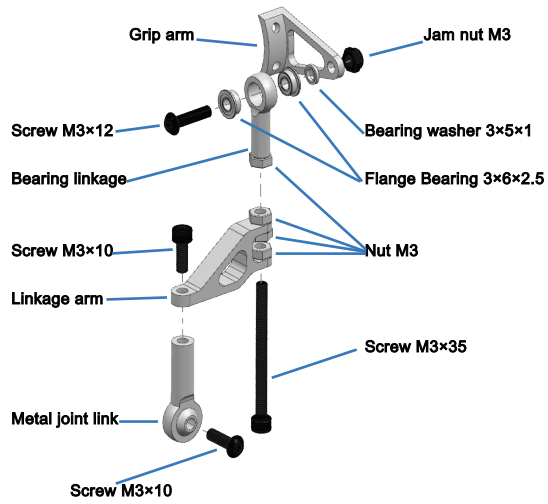


## Assembly Section

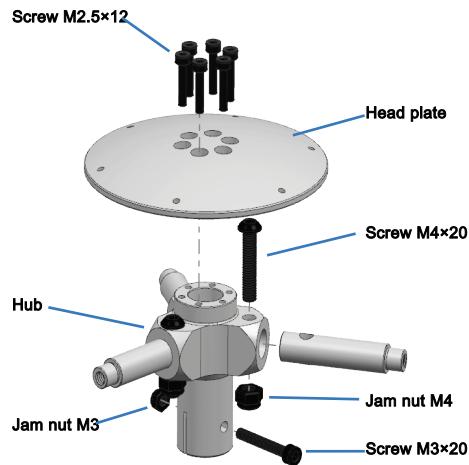
### Main Blade Grip Assembly



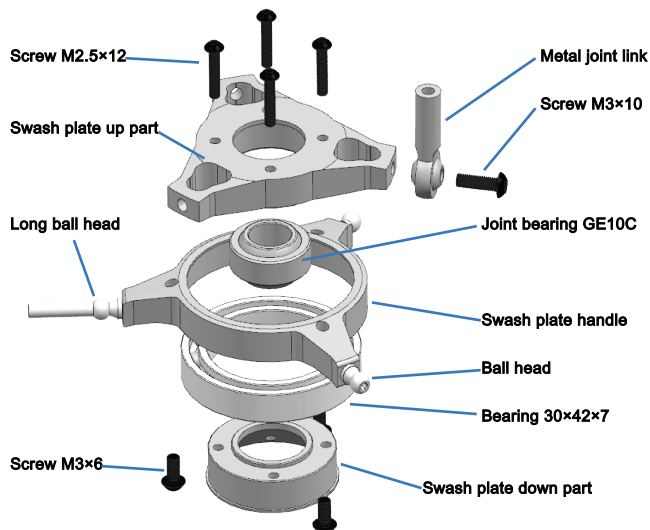
## Linkage Assembly



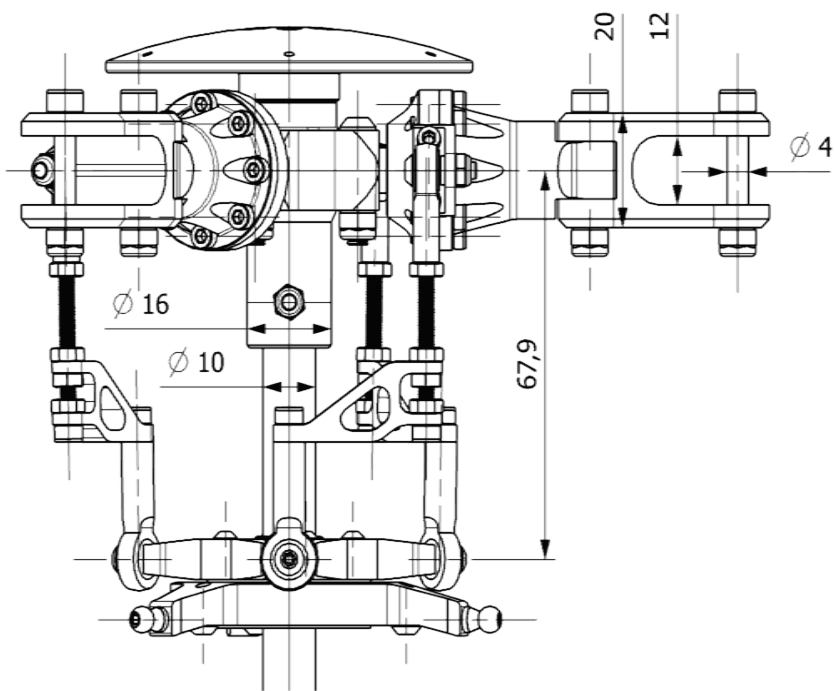
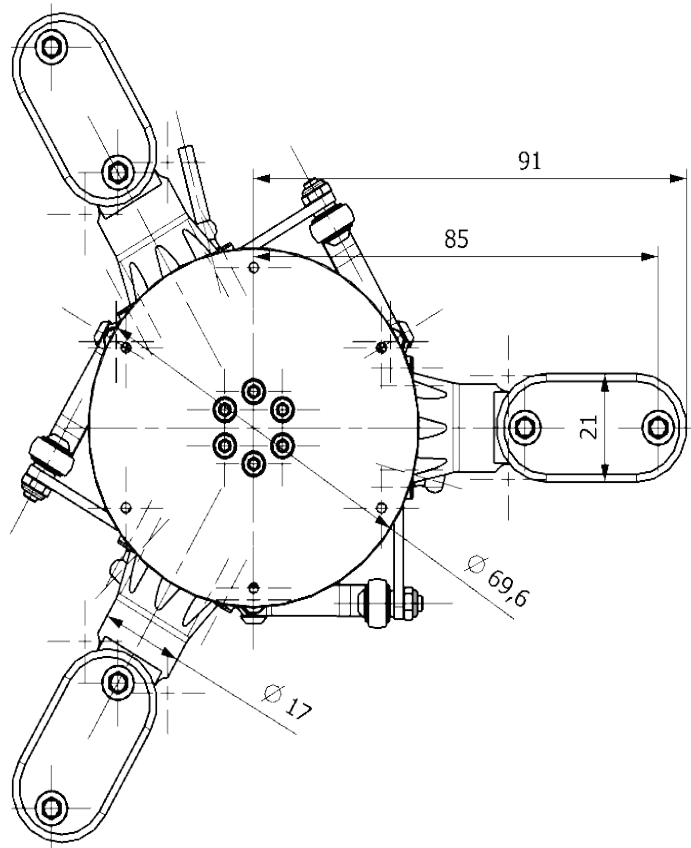
## Hub Assembly



## Swash Plate Assembly



Drafting and Size



## Part List

Name	Quantity	Materials
Blade grip	5	Aluminum Alloy
Hub	1	Aluminum Alloy
Head plate	1	Aluminum Alloy
Grip middle part	5	Aluminum Alloy
Grip root flange	5	Aluminum Alloy
Grip arm	5	Aluminum Alloy
Bearing linkage	5	Aluminum Alloy
Linkage arm	5	Aluminum Alloy
Swash plate handle	1	Aluminum Alloy
Swash up part	1	Aluminum Alloy
Swash plate down part	1	Aluminum Alloy
Washer 10×13.6×1.5	5	Aluminum Alloy
Washer 10×13.6×11	5	Aluminum Alloy
Washer 3×5×1	5	Aluminum Alloy
Bearing washer 3×5×1	5	Aluminum Alloy
Washer 6×11.8×1.5	5	Copper
Rubber washer	5	Rubber
Bearing 10×16×5	10	Steel
Thrust bearing 10×18×5.5	10	Steel
Flange bearing 3×6×2.5	10	Steel
Bearing 30×42×7	1	Steel
Joint bearing GE12C	1	Steel
Metal joint link	5	Steel
Feather shaft	5	Steel
Screw M6×12	5	Steel
Screw M6×30	5	Steel
Screw M3×8 (Half ball head)	5	Steel
Screw M2.5×8	10	Steel
Screw M5×30	5	Steel
Screw M3×14	5	Steel
Screw M3×8 (Cylinder head)	50	Steel
Screw M3×10	5	Steel
Screw M3×35	5	Steel
Screw M2.5×12(Cylinder Head)	6	Steel
Screw M5×25	5	Steel
Screw M2.5×12(Half Ball Head)	4	Steel
Screw M3×6	3	Steel
Jam nut M3	5	Steel
Jam nut M5	10	Steel
Jam nut M6	5	Steel
Nut M3	20	Steel