

700 Size Rotor Head Instruction Manual



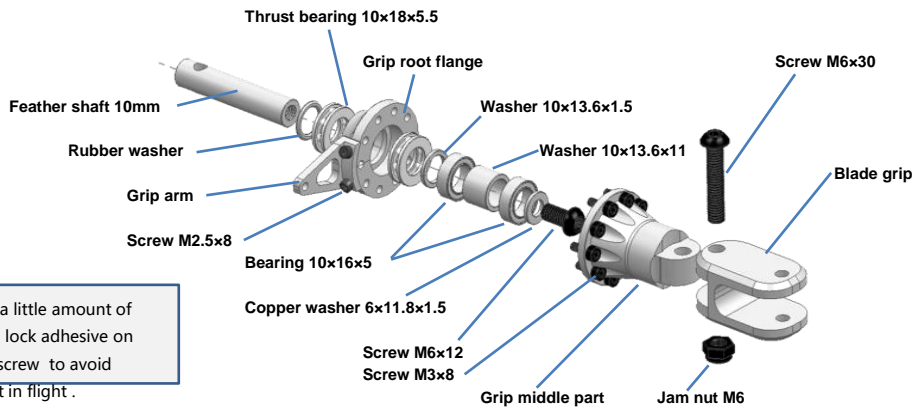
Introduction

Scale 700 size rotor head is the new design of Double Cats team. It is for the 12mm diameter main shaft RC model heli-copters with CCPM mode.

This head is made by CNC. It provides your scale helicopter more detail with flying stability. It's the best choice for your beautiful new scale fuselage.

Assembly Section

Main Blade Assembly



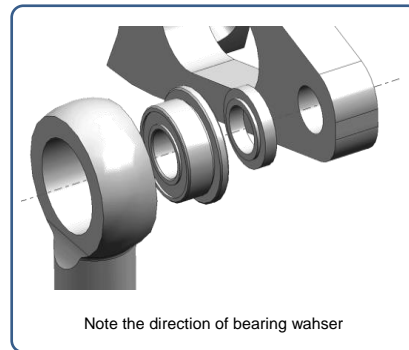
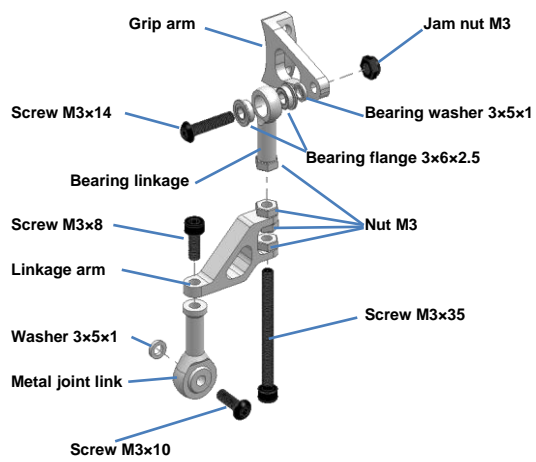
Apply a little amount of thread lock adhesive on every screw to avoid dispart in flight .

Small hole side **Big hole side**

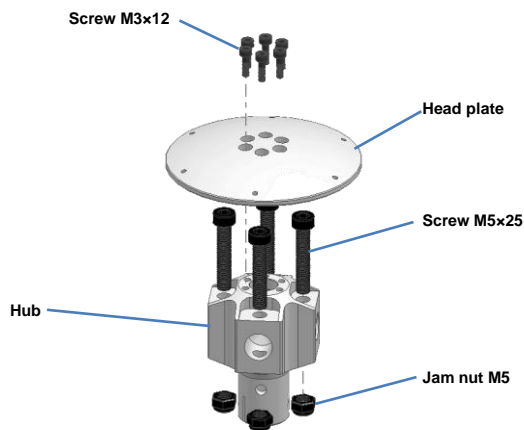
Big hole side **Small hole side**

Note the directions of thrust bearings. Thrust bearing has two different side, one side has a bigger hole, another side has a small hole. The bigger hole side of two bearings are always towards the flange.

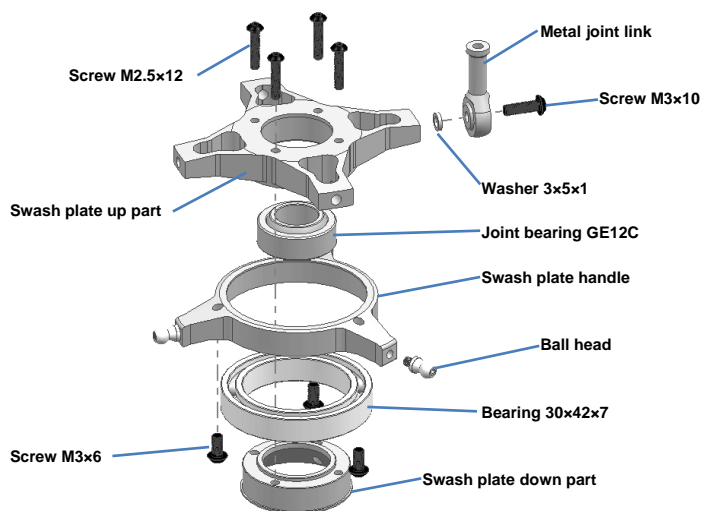
Linkage Assembly



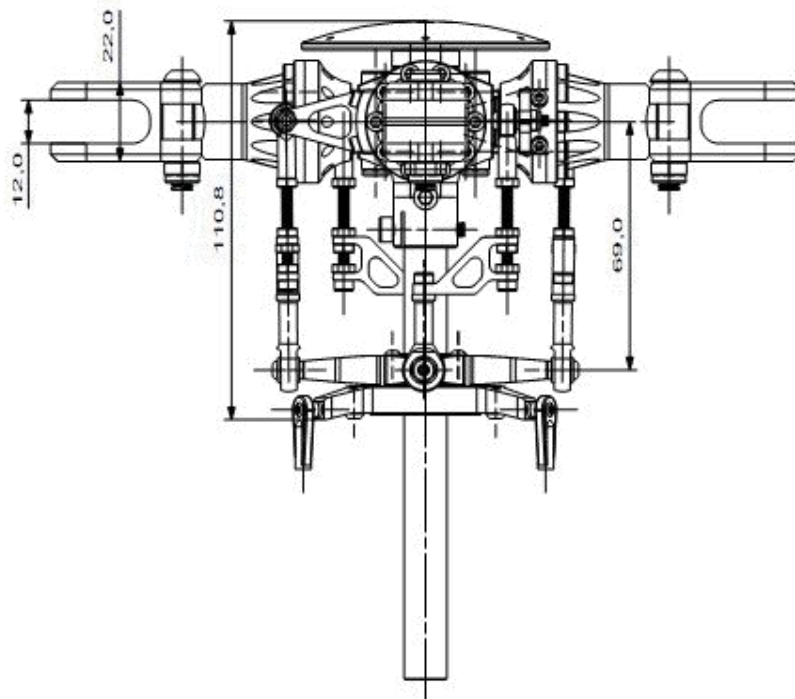
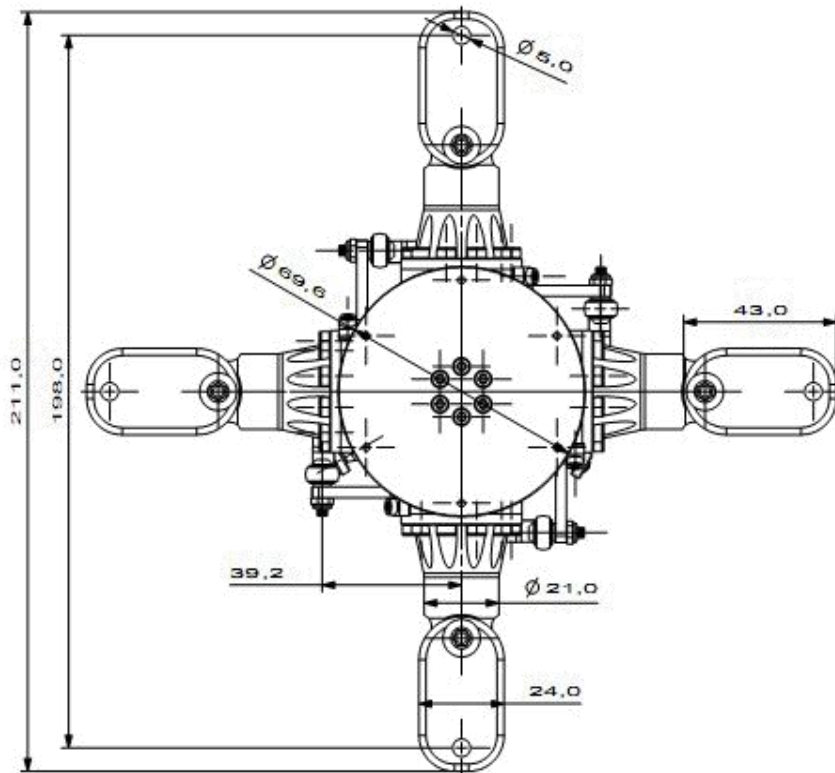
Hub Assembly



Swash Plate Assembly



Drafting and Size



Part List

Name	Quantity	Materials
Blade grip	4	Aluminum Alloy
Hub	1	Aluminum Alloy
Head plate	1	Aluminum Alloy
Grip middle part	4	Aluminum Alloy
Grip root flange	4	Aluminum Alloy
Grip arm	4	Aluminum Alloy
Bearing linkage	4	Aluminum Alloy
Linkage arm	4	Aluminum Alloy
Swash plate handle	1	Aluminum Alloy
Swash up part	1	Aluminum Alloy
Swash plate down part	1	Aluminum Alloy
Washer 10x13.6x1.5	4	Aluminum Alloy
Washer 10x13.6x11	4	Aluminum Alloy
Washer 3x5x1	4	Aluminum Alloy
Bearing washer 3x5x1	4	Aluminum Alloy
Washer 6x11.8x1.5	4	Copper
Rubber washer	4	Rubber
Bearing 10x16x5	8	Steel
Thrust bearing 10x18x5.5	4	Steel
Flange bearing 3x6x2.5	8	Steel
Bearing 30x42x7	1	Steel
Joint bearing GE12C	1	Steel
Metal joint link	4	Steel
Feather shaft	4	Steel
Screw M6x12	4	Steel
Screw M6x30	4	Steel
Screw M3x8 (Half ball head)	40	Steel
Screw M2.5x8	8	Steel
Screw M5x30	4	Steel
Screw M3x14	4	Steel
Screw M3x8 (Cylinder head)	4	Steel
Screw M3x10	4	Steel
Screw M3x35	4	Steel
Screw M3x12	6	Steel
Screw M5x25	4	Steel
Screw M2.5x12	4	Steel
Screw M3x6	3	Steel
Jam nut M3	4	Steel
Jam nut M5	8	Steel
Jam nut M6	4	Steel
Nut M3	16	Steel
Ball head	3	Steel